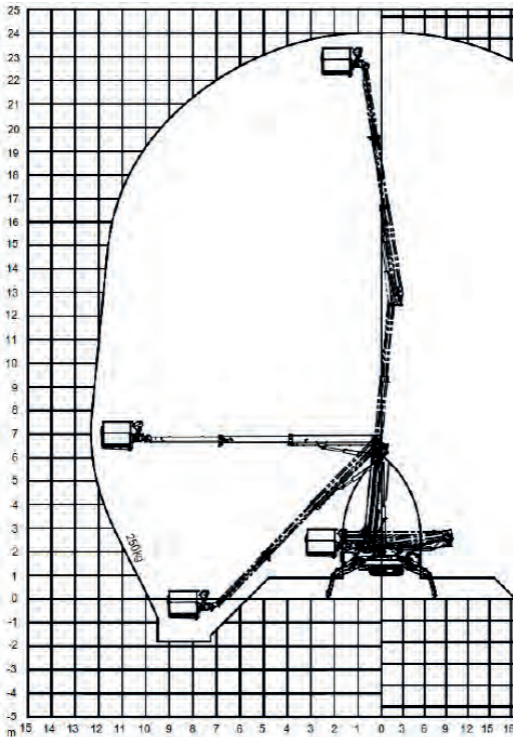


HALEO24

Unrivalled up and over outreach.



- 250kg unrestricted safe working load
- Less than 1m wide in transport position
- 230v mains electric or powerful diesel engine



HigherAccess
Spider Lift Hire Specialists

08456 044 054 www.higheraccess.co.uk

HALEO24

Working height	24.00m
Platform height	22.00m
Lateral outreach	12.70m
Safe load on cage	250kg
Cage rotation	180°
Range of rotation	450°
Limited range of rotation - one side narrow	192°
Limited range of rotation - both sides narrow	30°
Cage dimensions	1.1x 0.8 x 1.2m
Removable cage	Y
Length in travelling position with cage	6.40m
Length in travelling position without cage	5.05m
Width in travelling position with cage	0.99m
Width in travelling position without cage	0.99m
Height in travelling position	2.00m
Net weight	3,300kg
Setup width standard	4.70m
Setup length standard	4.70m
Setup width - one side narrow	3.65m
Setup width - both sides narrow	2.65m
Power supply	Kubota Diesel
	230v electric
	13A 3 pin plug
Climbing ability	19°
Setup ability	16.7°
Maximum point load (kN)	23.70
Load on 400mm pad (kN/m ²)	148.13
Load on 600mm pad (kN/m ²)	65.83
Load on 800mm pad (kN/m ²)	37.03
Adjustable track Height/Width	Hydraulic - 0.19m
Drive control	Radio remote
Drive speed	4.0 km/h

DISCLAIMER

The information on this page is for guidance only and is subject to change without prior notice in line with the Manufacturer's Development Program. Higher Access and its suppliers cannot be held liable for any damage or injury sustained through use of this information to specify equipment.